

The rugged and reliable WG series worm gearboxes are constructed for manual or motorized operation. With ductile iron housings, bearing-supported shafts, and well-designed sealing, the WG stands up to the environmental challenges of weatherproof, submersible and buried service applications. Alternate input shaft assembly positions can be accomplished in the field due to the concentric housing design. The splined adapter is captive in the housing, eliminating the concerns over proper engagement of the adapter on the valve shaft. The range of spur gear reductions allows the WG to meet operating times for virtually any application.

The WG meets AWWA C504 requirements for manual operation and, when motorized, meets AWWA C542 requirements. High-quality, maintenance-free construction will provide years of dependable operation.

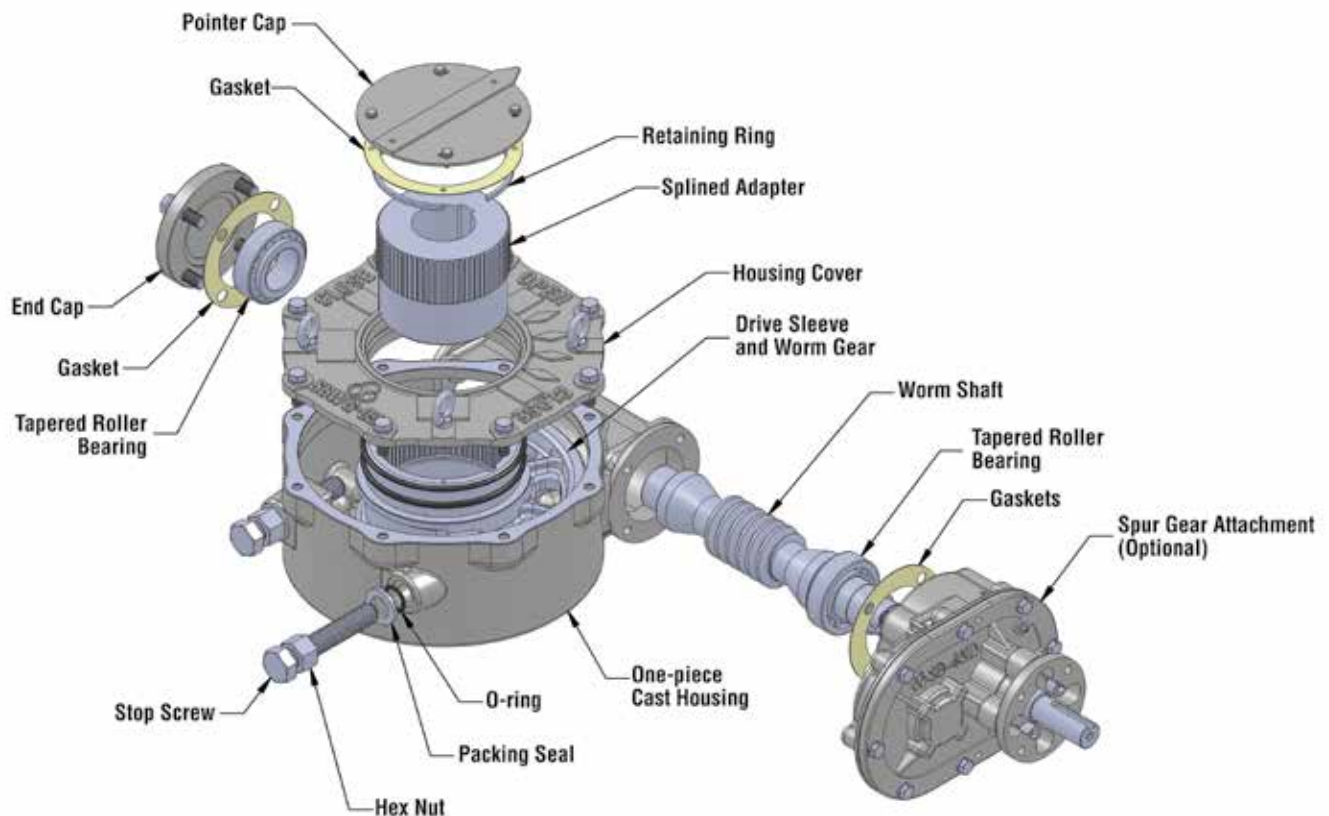
### Features and Benefits

- Meets AWWA C504 and C542 when motorized with MX, L120 or SMB actuators
- Lubricated for life
- Available for 360° operation
- Input flanges machined in accordance with MSS SP-102, with keyed input shaft
- Available for buried service and submersibility to IP 68
- Self-locking gearing
- High mechanical advantage

**The WG series, when motorized by MX, L120 or SMB actuators, provides effective and reliable solutions for quarter-turn or multi-turn process control applications.**



- Ductile iron enclosure
- 90° ±5° (adjustable) travel for quarter-turn applications
- Up to 326 000 ft-lb/442 000 N-m torque output
- Worm gears available in bronze or ductile iron
- -35°C to 90°C (-31°F to 194°F) temperature range for continuous operation (options to -50°C)





# Limitorque WG Series

## Worm Gearboxes

### Ratings

Gearbox	Ratio	Mechanical Advantage	Stem Capacity		Output Torque Rating		Input Torque for Output Torque Rating	
			Inches	MM	ft-lb	N-m	ft-lb	N-m
WG-00	40:1	13.6	1.250 - 5/16 x 5/16 sq key 1.313 - 5/16 x 1/4 rect key	32 - 8x7	885	1200	65	88
WG-02	48:1	15.4	2.125 - 1/2 x 1/2 sq key 2.188 - 1/2 x 3/8 rect key	56 - 12x8	2065	2800	134	182
WG-03	52:1	16.1	2.688 - 5/8 x 5/8 sq key	70 - 16x10	3172	4300	197	267
WG-03-1SD	217:1	52.1	2.750 - 3/4 x 1/2 rect key				61	83
WG-35	52:1	16.6	2.813 - 3/4 x 3/4 sq key	74 - 20x12	4500	6100	270	367
WG-35-1SD	148:1	35.5	2.938 - 3/4 x 1/2 rect key				127	172
WG-04	56:1	19.0	3.313 - 7/8 x 7/8 sq key	88 - 25x14	7670	10 400	404	547
WG-04-1SD	252:1	60.5	3.438 - 7/8 x 5/8 rect key				127	172
WG-05	60:1	20.4	4.000 - 1 x 1 sq key	106 - 28x16	11 720	15 890	575	779
WG-05-1SD	388:1	93.1	4.125 - 1 x 3/4 rect key				126	171
WG-55	62:1	21.7	4.375 - 1 x 1 sq key	115 - 32x18	17 330	23 497	799	1083
WG-55-1S	186:1	52.1	4.500 - 1 x 3/4 rect key				333	451
WG-55-1SD	372:1	89.3					194	263
WG-55-1SD	558:1	133.9					129	175
WG-06	64:1	19.2	4.813 - 1-1/4 X 1-1/4 sq key	128 - 32x18	24 190	32 797	1260	1708
WG-06-1SD	329:1	75.7	5.000 - 1-1/4 X 7/8 rect key				320	433
WG-06-1SD	451:1	103.7					233	316
WG-06-1SD	768:1	176.6					137	186
WG-07	68:1	21.1	6.188 - 1-1/2 x 1-1/2 sq key	164 - 40x22	37 690	51 101	1788	2424
WG-07-1SD	350:1	80.5	6.438 - 1-1/2 x 1 rect key				468	635
WG-07-1SD	674:1	155.0					243	330
WG-07-1SD	1088:1	250.2					151	204
WG-75	66:1	20.5	7.125 - 1-3/4 x 1-3/4 sq key	188 - 45x25	60 110	81 498	2938	3983
WG-75-1S	330:1	89.1	7.250 - 1-3/4 x 1-1/2 rect key				675	915
WG-75-1SD	394:1	90.6					663	899
WG-75-1SD	544:1	125.1					480	651
WG-75-1SD	1084:1	249.3					241	327
WG-08	66:1	21.8	8.500 - 2 x 2 sq key	228 - 50x28	89 240	120 992	4097	5555
WG-08-1S	330:1	92.4	8.750 - 2 x 1-1/2 rect key				966	1309
WG-08-1SD	394:1	98.5					906	1228
WG-08-1SD	770:1	192.5					464	629
WG-08-1SD	1417:1	354.3					252	342
WG-09	66:1	23.1	9.500 - 2-1/2 x 2-1/2 sq key	258 - 56x32	141 980	192 497	6146	8333
WG-09-1S	330:1	99.0	10.000 - 2-1/2 x 1-3/4 rect key				1434	1944
WG-09-1SD	394:1	102.4					1386	1879
WG-09-1SD	1155:1	300.3					473	641
WG-10	64:1	21.8	10.625 - 2-1/2 x 2-1/2 sq key	286 - 63x32	202 830	274 997	9321	12 638
WG-10-1S	320:1	92.8	11.000 - 2-1/2 x 1-3/4 rect key				2186	2963
WG-10-1SD	422:1	109.7					1849	2506
WG-10-1SD	640:1	166.4					1219	1653
WG-10-1SD	1600:1	416.0					488	661
WG-11	68:1	23.1	11.750 - 3 x 3 sq key	318 - 70x36	326 000	441 991	14 100	19 117
WG-11-1S	340:1	102.0	12.250 - 3 x 2 rect key				3196	4333
WG-11-1SD	448:1	116.5					2799	3795
WG-11-1SD	816:1	212.2					1537	2083
WG-11-1SD	994:1	258.4					1261	1710

Flowserve Corporation has established industry leadership in the design and manufacture of its products. When properly selected, this Flowserve product is designed to perform its intended function safely during its useful life. However, the purchaser or user of Flowserve products should be aware that Flowserve products might be used in numerous applications under a wide variety of industrial service conditions. Although Flowserve can (and often does) provide general guidelines, it cannot provide specific data and warnings for all possible applications. The purchaser/user must therefore assume the ultimate responsibility for the proper sizing and selection, installation, operation and maintenance of Flowserve products. The purchaser/user should read and understand the Installation Operation Maintenance (IOM) instructions included with the product, and train its employees and contractors in the safe use of Flowserve products in connection with the specific application.

While the information and specifications contained in this literature are believed to be accurate, they are supplied for informative purposes only and should not be considered certified or as a guarantee of satisfactory results by reliance thereon. Nothing contained herein is to be construed as a warranty or guarantee, express or implied, regarding any matter with respect to this product. Because Flowserve is continually improving and upgrading its product design, the specifications, dimensions and information contained herein are subject to change without notice. Should any question arise concerning these provisions, the purchaser/user should contact Flowserve Corporation at any one of its worldwide operations or offices.

© 2015 Flowserve Corporation, Irving, Texas, USA. Flowserve is a registered trademark of Flowserve Corporation.

**To find your local Limitorque representative, visit  
www.limitorque.com or call USA 434 528 4400.**

**United States**  
Flowserve Limitorque  
5114 Woodall Road  
Lynchburg, VA 24502 USA  
Telephone: 434 528 4400  
Fax: 434 845 9736

FCD LMENFL2102-01-AQ 05/15 © 2015 Flowserve Corporation.